

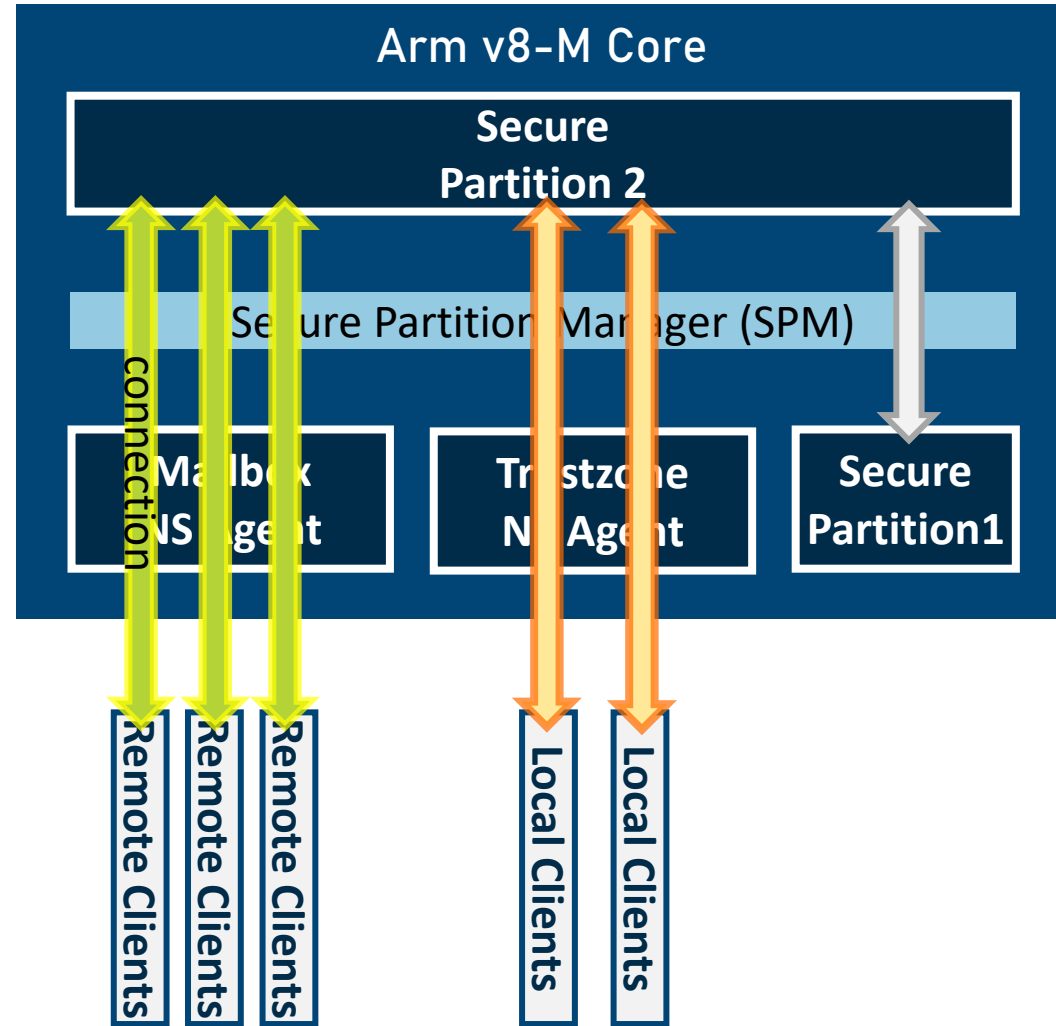
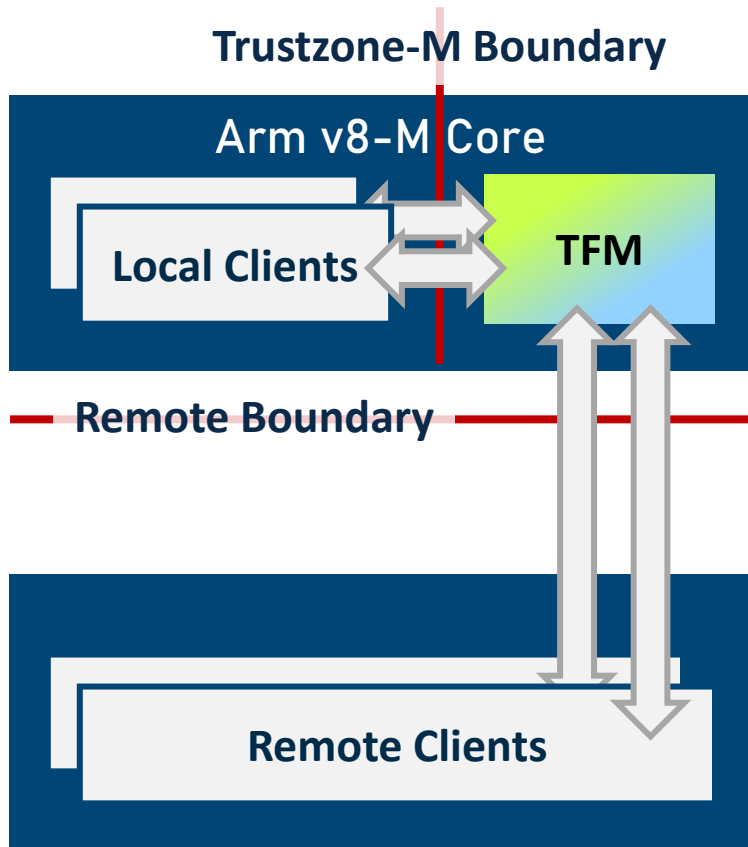
The background of the slide is a composite image. The top half shows a starry night sky with a prominent blue and purple aurora-like glow. The bottom half shows a silhouette of a mountain range with a power plant or industrial facility on the right side, featuring several tall chimneys. A thin blue vertical line runs down the right side of the slide, and a white crosshair is positioned near the top right.

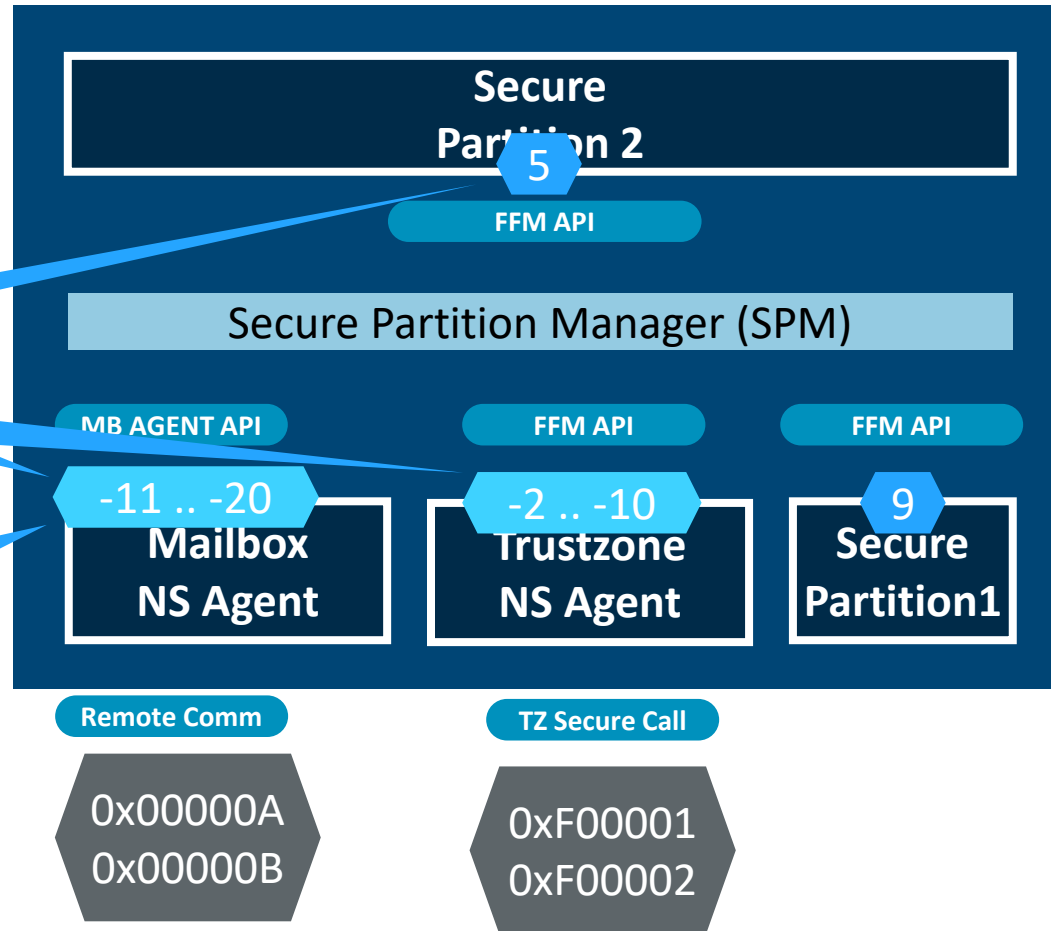
# arm

## Non-secure Client ID Management

TF-M  
2023 DEC

© 2023 Arm





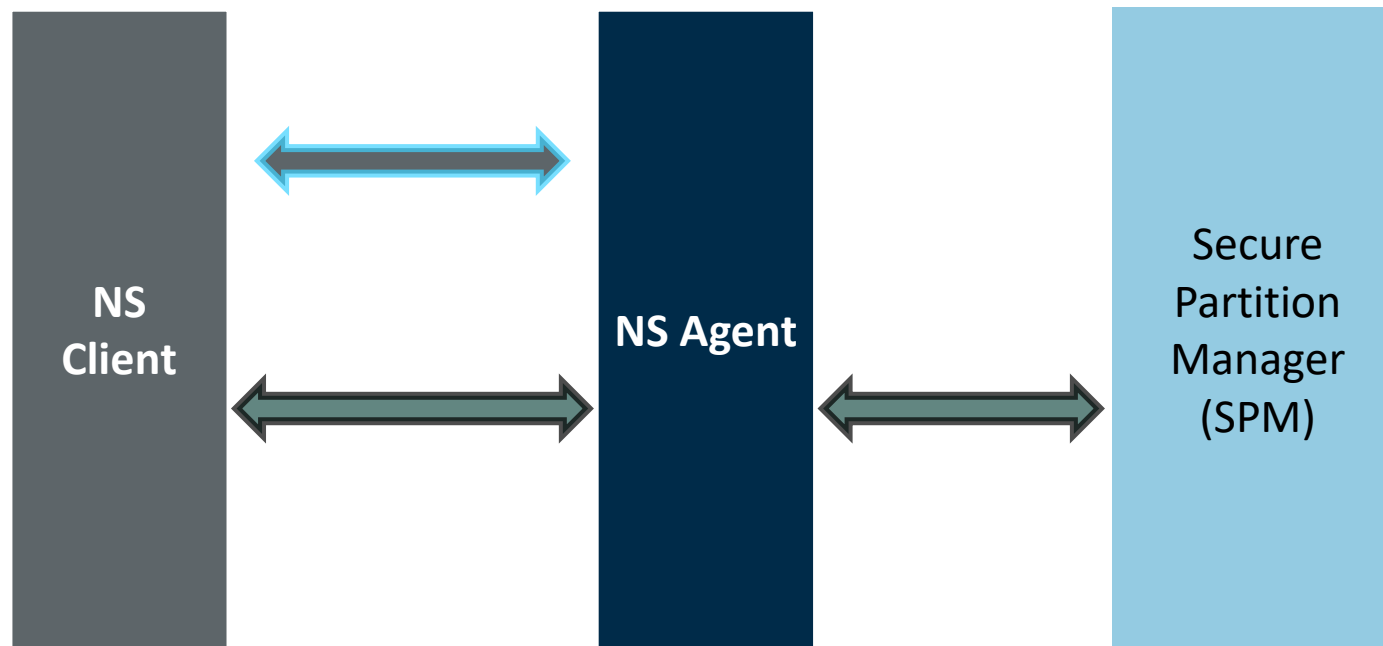
Client ID seen by SPM  
mustn't overlap

Representing NS FFM IDs  
are claimed in the  
manifest

n 'n' is the Client ID

- SPE integration items

- Specifying how the hardware would be used (NSPE or SPE usage).
- Decide the mapping scheme/table between native NSPE ID and FFM Client ID.
- Implement the mapping scheme inside Agent.





The Arm trademarks featured in this presentation are registered trademarks or trademarks of Arm Limited (or its subsidiaries) in the US and/or elsewhere. All rights reserved. All other marks featured may be trademarks of their respective owners.

[www.arm.com/company/policies/trademarks](http://www.arm.com/company/policies/trademarks)